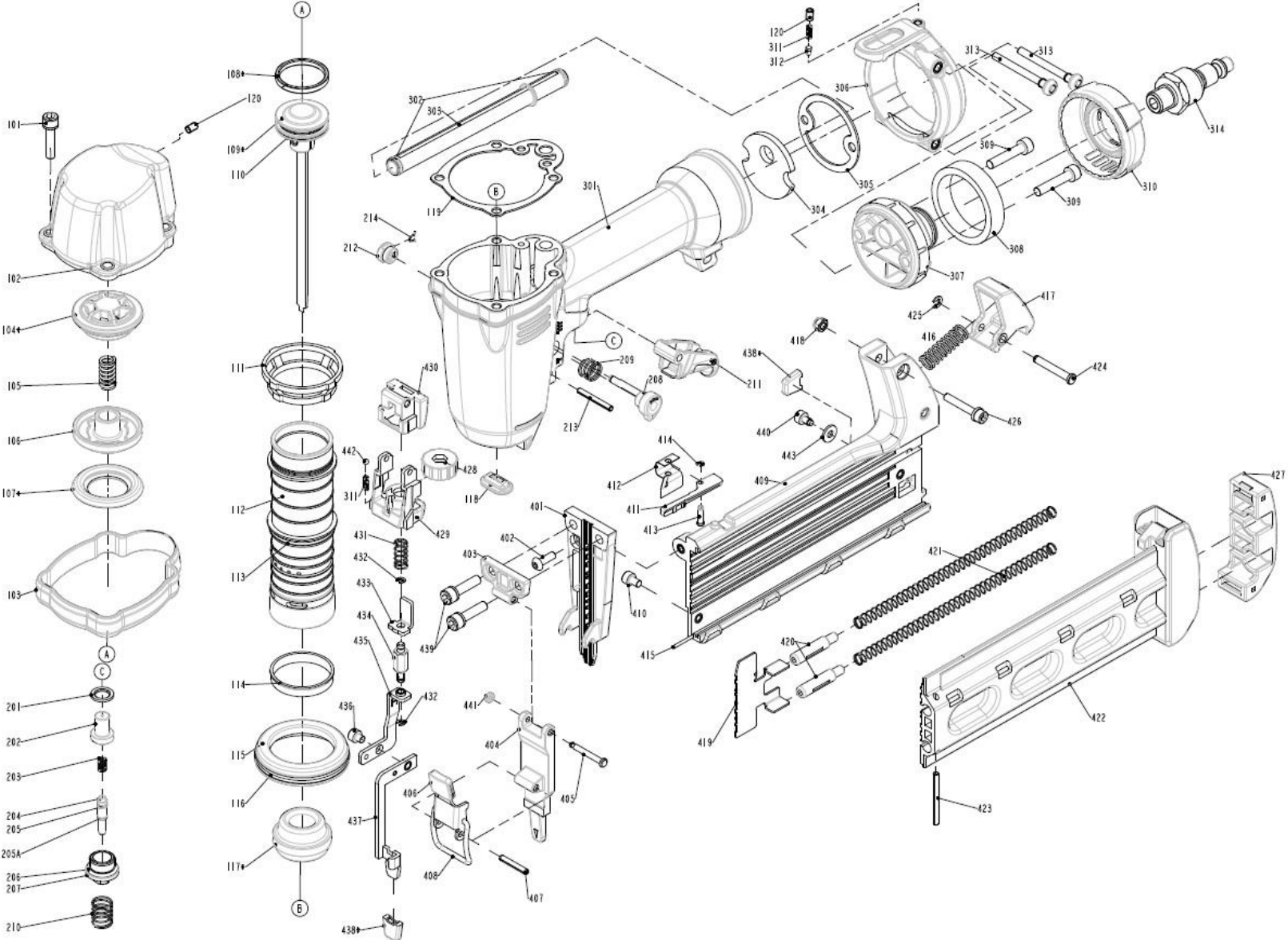


Brad nailer ESSVE BN 12/55



Brad nailer ESSVE BN 12/55

Pos	Art. Nr.	Name	Pos	Art. Nr.	Name	Pos	Art. Nr.	Name	Extras:
101		BOLT ASSY	304	10000957	FILTER	428	10000983	ADJUST AXIE	901009 (3x438) No mark set
102		CAP	305	10000865	GASKET	429	10000881	SAFETY GUIDE	
103		PROTECTIVE CUSHION	306	10000831	SPRING RETAINER	430	10000853	SAFETY SPRING BASE	
104*		COLLAR	307	10000896	END CAP	431		SAFETY SPRING	
105	10000915	COMPRESSION SPRING	308	10000867	MUFFLER	432	10001032	E - RING	Service kits:
106	10000931	HD.VALVE PISTON	309	10001016	HEX.SOC.HD.BOLT	433	10000870	SAFETY	901001 Service kit
107*		SEAL	310	10000984	GUIDE PLATE	434	10000982	ADJUST ROD A	901003 Driver Kit
108*		PISTON RING	311	10000852	POSITIONING SPRING	435	10000874	SAFETY B	901005 Latch kit
109*		DRIVER UNIT	312	1136C00847011	POSITIONING SHAFT	436	10001001	HEX.SOC.HD.BOLT	901007 Trigger kit
110		O - RING	313	10000966	SCREW	437	10000826	SAFETY A UNIT	901191 Trigger switch kit
111	10000991	COLLAR	314	901147	AIR PLUG	438*	901009 (3 pcs)	PROTECTIVE CASING	
112	10000854	CYLINDER	401	10000835	DRIVER GUIDE	439		BOLT ASSY	Multiple color, present in both kits
113		O - RING	402	10001018	HALF ROUND HD.HEX.BOLT	440	10000967	SCREW	
114	10000858	CYLINDER RING	403	10000907	DRIVER GUIDE COVER B	441	1131D04600011	URETHANE RETAINER	
115	10000855	CYLINDER SPACER	404		DRIVER GUIDE COVER A	442	10001060	STEEL BALL	
116		O - RING	405		FIXED PIN	443	10001027	FLAT WASHER	
117*		BUMPER	406		PUSHER CUSHION	444	10001358	O - RING	
118	10000832	JOINT GUIDE	407		SPIRAL PINS				
119*		CYLINDER CAP SEAL	408		LOCK HANDLE UNIT	C		Trigger valve kit	
120	2040104020200	HEX.SOC.HD.SCREW	409	10000830	MAGAZINE A				
201	10000888	SEAL	410	10001002	HEX.SOC.HD.BOLT				
202	10000943	TRIGGER VALVE HEAD	411		SAFETY STOPPER				
203	10000889	SPRING	412		SPRING				
204	10000945	PLUNGER	413		FIXED PIN				
205	10001061	O - RING	414		E - RING				
205A	10001062	O - RING	415	10000949	FLAT BAR				
206	10001066	O - RING	416	10000878	SAFETY SPRING				
207	10000944	PLUNGER CAP	417	10000891	LATCH				
208		HINGE POINT	418	10001056	LOCK NUT				
209		SPRING	419	10000922	PUSHER				
210	10000946	SPRING	420	10000951	SHAFT				
211	10000823	TRIGGER UNIT	421	10000926	PUSHER SPRING				
212	1131M03747011	LOCATING WHEEL	422	10000972	MAGAZINE B				
213	10001046	SPRING PIN	423	10001048	SPRING PIN				
214	1131C03700011	RING	424	10000893	LATCH PIN				
301		GUN BODY UNIT	425	10001037	E - RING				
302		O - RING	426		BOLT W/FLAT WASHER				
303		LINK ROD	427	10000969	PROTECTING HOOD COVER				

